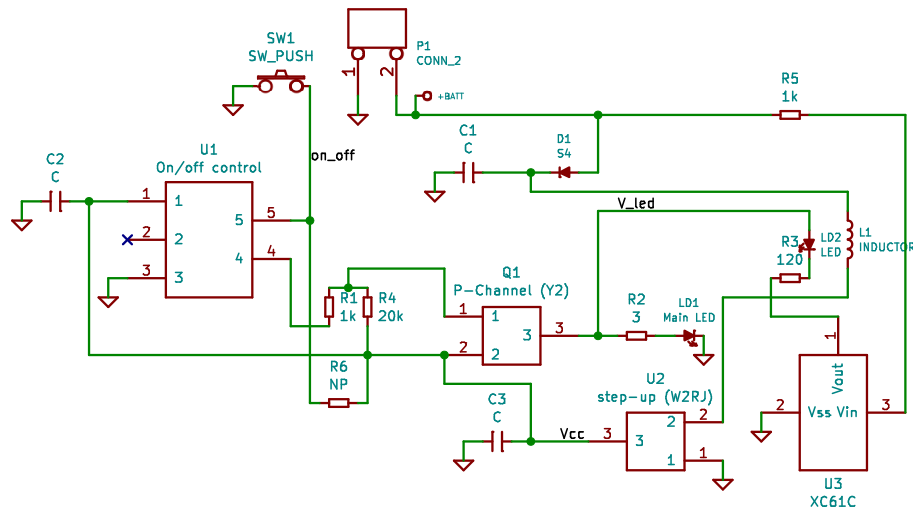


# LPBi14042 bicycle front light



Sheet: /  
 File: cykellygte-schematics.sch

**Title:**

Size: A4  
 KiCad E.D.A. kicad 5.1.9+dfsg1-1

Date:

Rev:

Id: 1/1