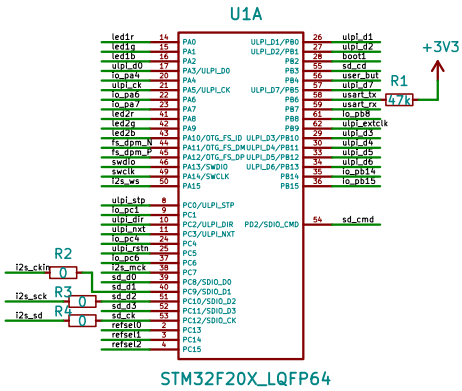
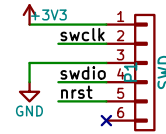


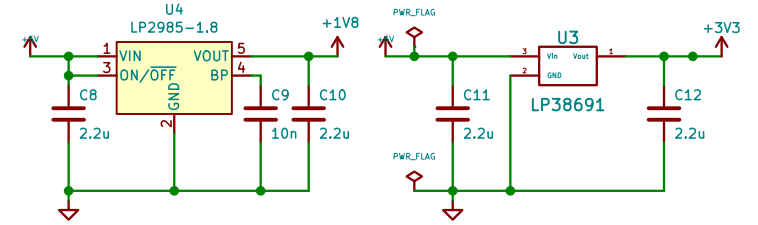
MCU



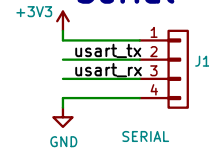
SWD



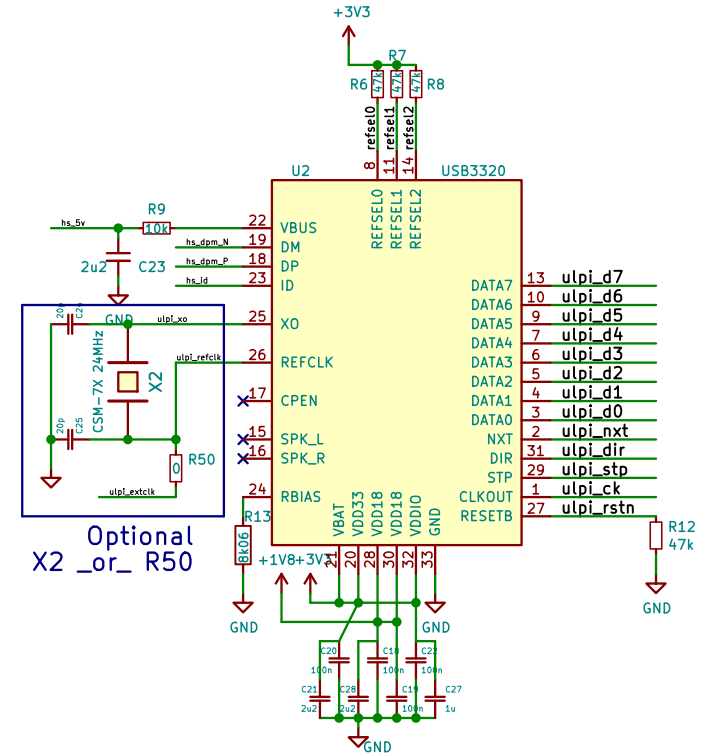
Voltage Regulators



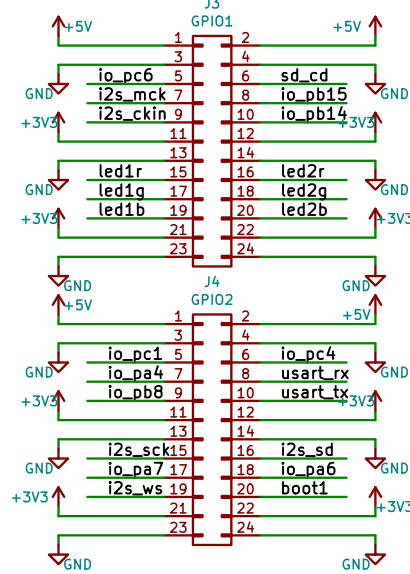
Serial



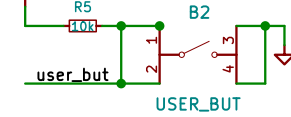
USB HS PHY



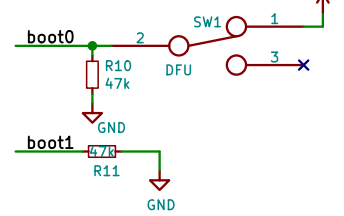
GPIO



User button

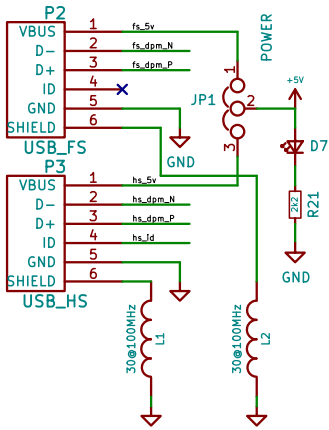


Boot selection

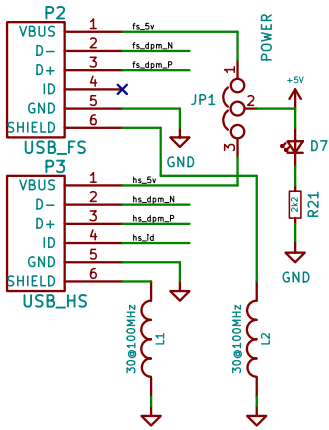


Jumper off boots from flash (BOOT0=0)
Jumper on boots from system/DFU (BOOT0=1 BOOT1=0)

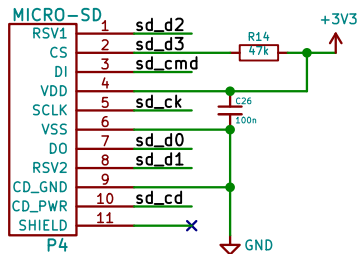
Full-speed USB



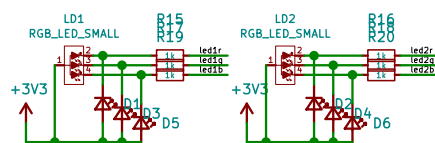
High-speed USB



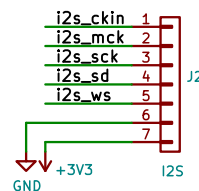
Micro-SD card



LEDs



I2S



Sheet: /
File: pcb-f2-a.sch

Title:

Size: A4 Date: / /
KiCad E.D.A. kicad (2017-08-04 revision 7bf9f8e1c)-master

Rev:

Id: 1/1